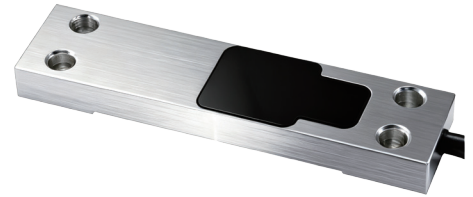
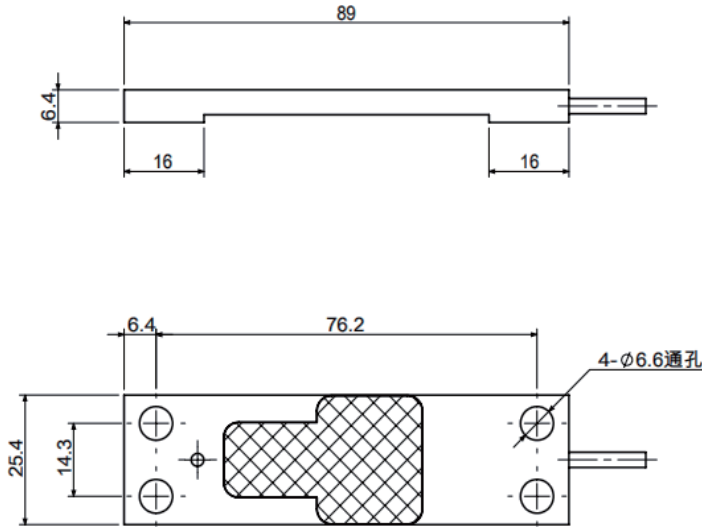


安装尺寸 MOUNTING DIMENSION

MS9007



特点和用途 FEATURES & APPLICATIONS

- ◆ 安装方便，只需用螺栓固定
- ◆ 防护等级: IP66
- ◆ 用于被测物的动、静载时应变监控，如起重机和压力机
- ◆ Easy to install, just use bolts to fix
- ◆ Protection level :IP66
- ◆ Used for dynamic and static load strain monitoring of the measured object, such as cranes and presses

技术参数 TECHNICAL PARAMETERS

参数	Specifications	技术指标/Technique
额定容量	Capacity	50 μ m/m
输出灵敏度	Rated output	1.5 \pm 10% mV/V
零点输出	Zero balance	\pm 2% F.S.
非线性	Non-linearity	0.25%F.S.
滞后	Hysteresis	0.25%F.S.
重复性	Repeatability	0.1%F.S.
蠕变(30min)	Creep(30min)	0.1%F.S.
温度灵敏度漂移	Temp.effect on output	0.2%F.S./10 $^{\circ}C$
零点温度漂移	Temp.effect on zero	0.5%F.S./10 $^{\circ}C$
输入电阻	Input impedance	1000 \pm 10 Ω
输出电阻	Output impedance	1000 \pm 10 Ω
绝缘电阻	Insulation	\geq 5000M Ω /100VDC
激励电压	Excitation Voltage	5~10V
最大激励电压	Maximum excitation Voltage	15V
温度补偿范围	Compensated temp range	-10~40 $^{\circ}C$
工作温度范围	Operation temp range	-20~60 $^{\circ}C$
安全超载	Safe overload	150%F.S.
极限超载	Ultimate overload	200%F.S.
电缆线尺寸	Cable size	Φ 3x3000mm
防护等级	IP Class	IP66

受力方式 Load Direction



配线图 Wiring Code

